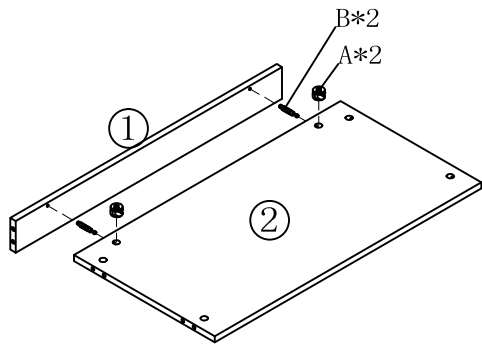


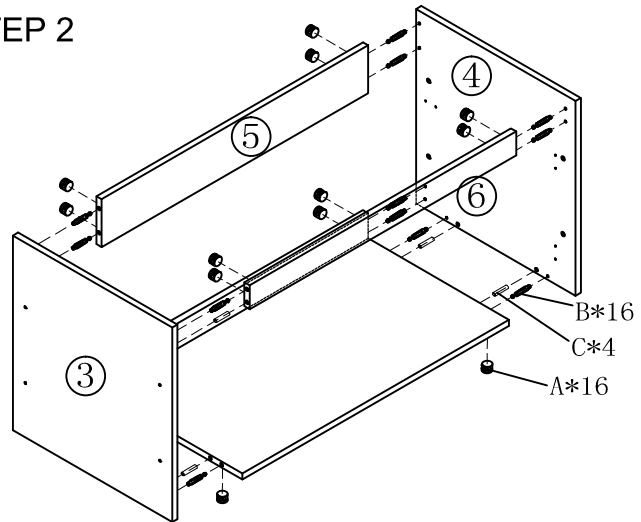
MP-2102

NO.	Drawing	Description	Qty	NO.	Drawing	Description	Qty	NO.	Drawing	Description	Qty
A		∅15x12	18	F		M6x25	8	K			2
B		∅7x29	18	G		∅4x16	24	L		∅5x70	2
C		∅8x30	4	H			4	M			2
D		∅3.5x25	4	I		∅5x50	6	N			
E		∅3.5x14	4	J		∅7x38	8	O			

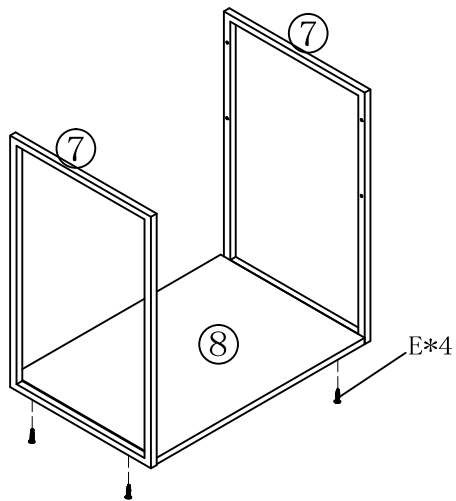
STEP 1



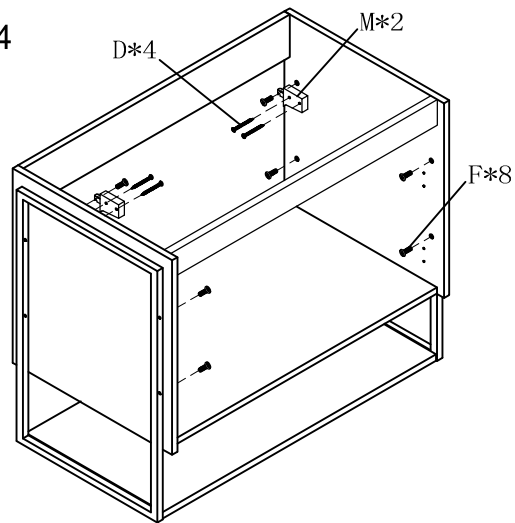
STEP 2



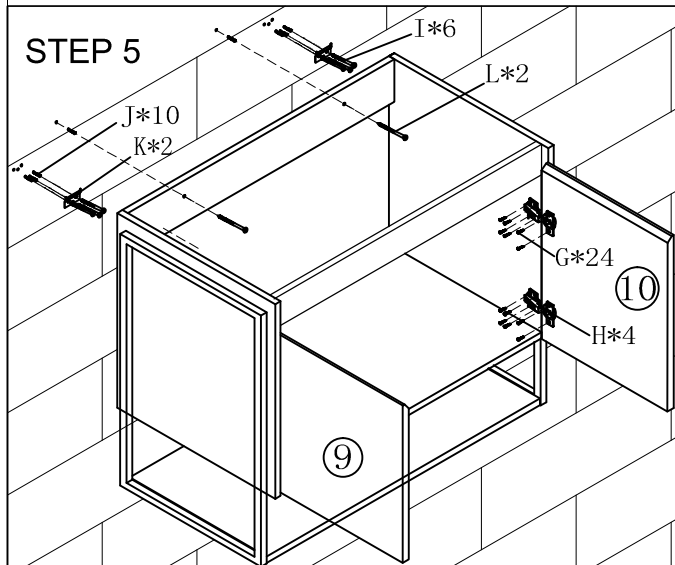
STEP 3



STEP 4



STEP 5



STEP 6

