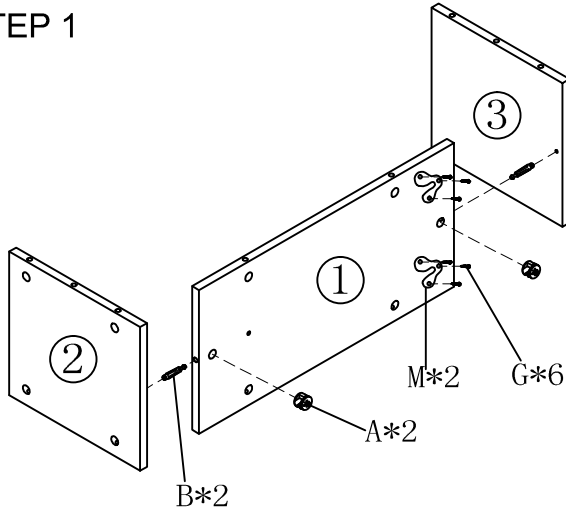


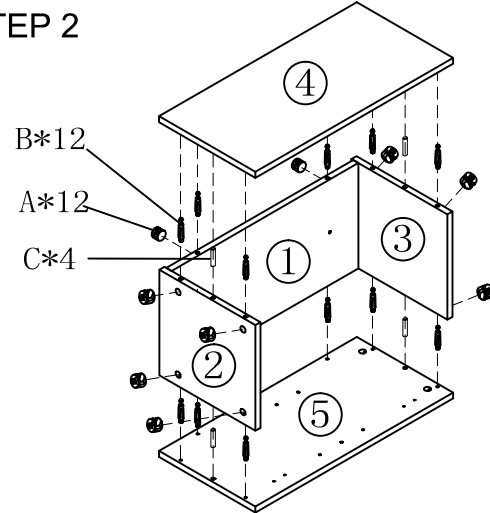
MP-2102 SIDE CABINET

NO.	Drawing	Description	Qty	NO.	Drawing	Description	Qty	NO.	Drawing	Description	Qty
A		∅15x12	14	F		∅5*(10+10)	4	K		∅5x50	2
B		∅7x29	14	G		∅3.5x14	10	L		∅5x45	1
C		∅8x30	4	H			2	M			2
D		∅6x50	4	I		∅4x16	12	N			
E		∅10x12	4	J		∅7x38	3	O			

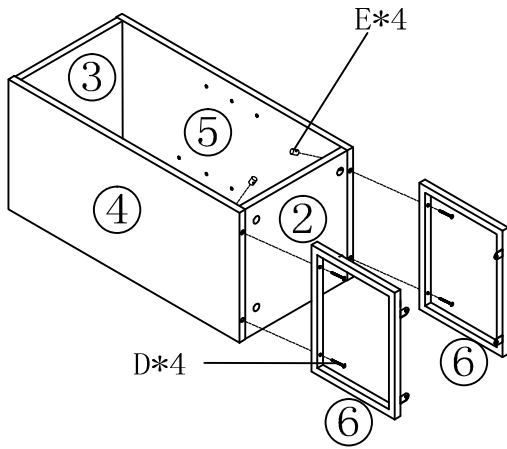
STEP 1



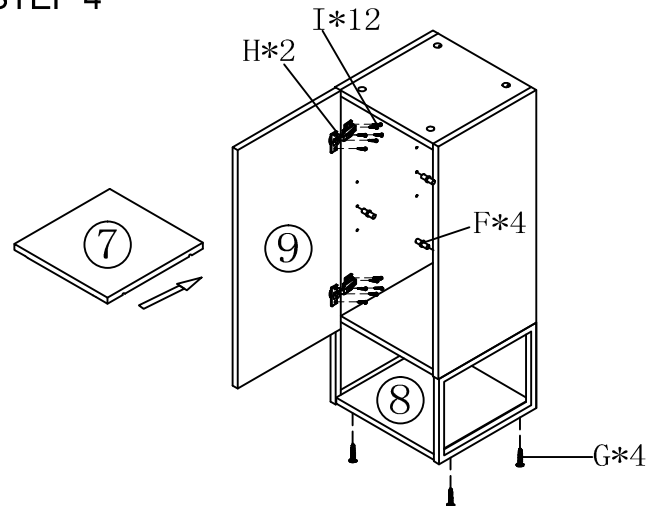
STEP 2



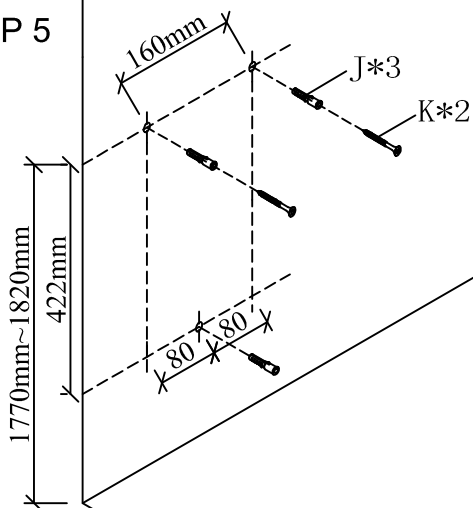
STEP 3



STEP 4



STEP 5



STEP 6

