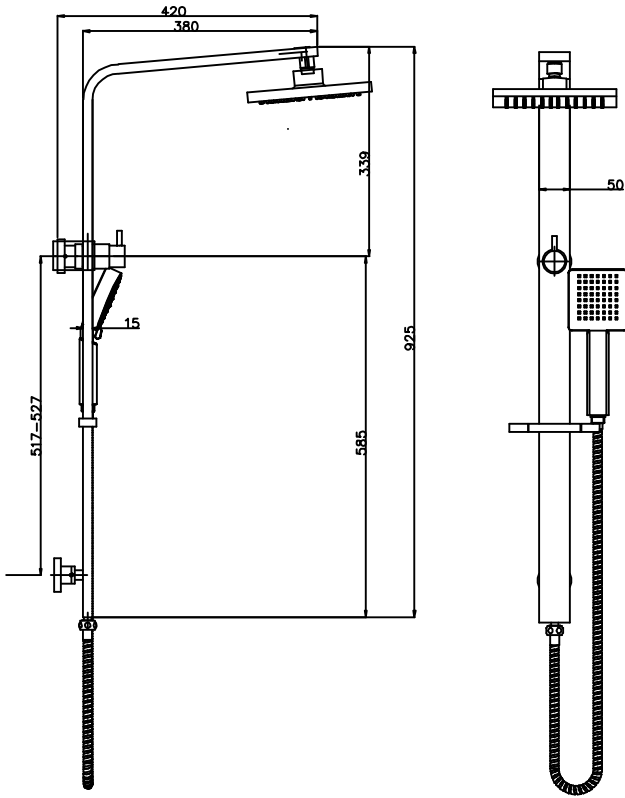


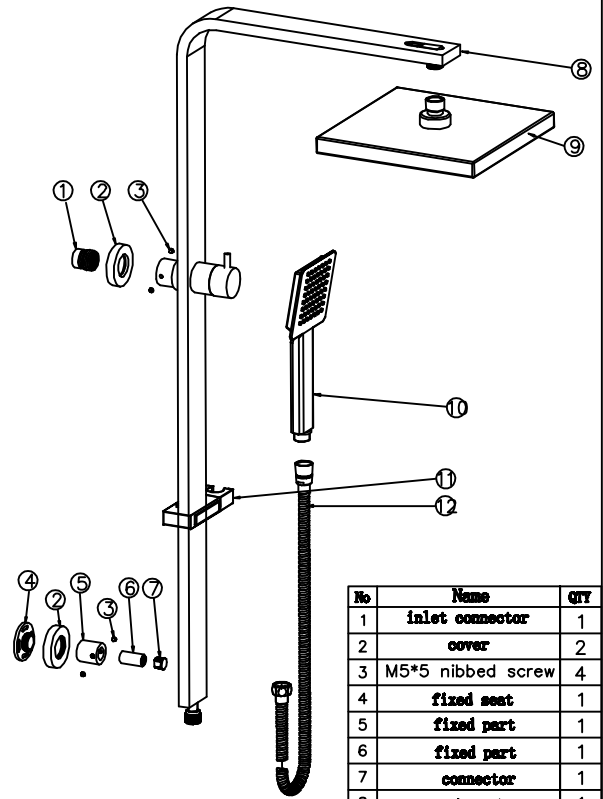
# DRAWING

Unit: MM



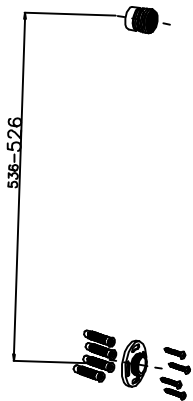
# 1 INSTALLATION MANUAL

Name: Shower column



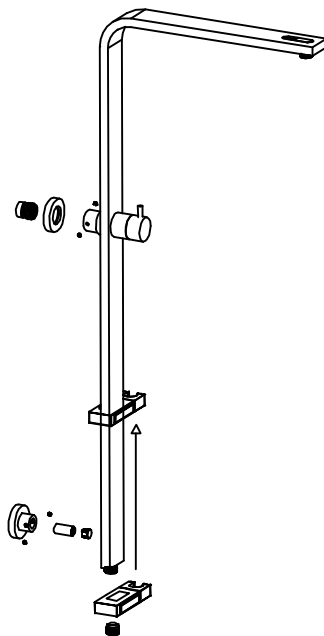
No	Name	QTY
1	inlet connector	1
2	cover	2
3	M5*5 nibbed screw	4
4	fixed seat	1
5	fixed part	1
6	fixed part	1
7	connector	1
8	outlet pipe	1
9	shower head	1
10	hand shower	1
11	bracket	1
12	hose	1

2



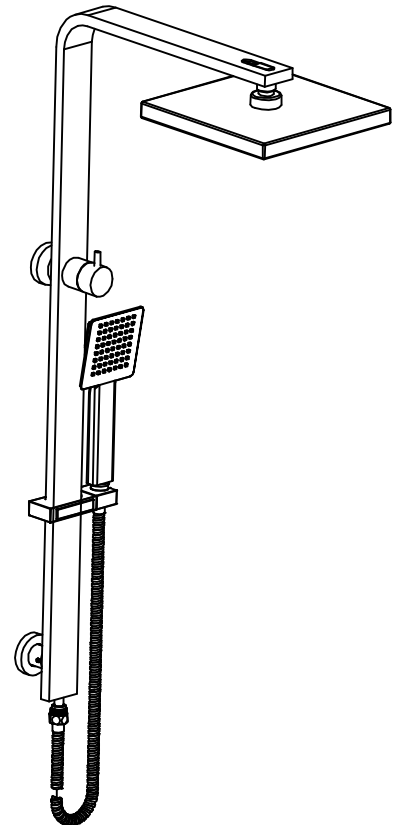
- ① Screw down the inlet water connector.
- ② Measure the centre distance between inlet water connector and fixed seat, find out the suitable position of fixed seat, Drilling the holes to install the fixed seat.

3



- ① Insert the bracket, screw down the 1/2 connector.
- ② Cover the inlet water connector, screw up the diverter by M5 screw.
- ③ Cover the fixed seat and connect to the shower column by M5 screw.

4



- ① Finally, install the shower hose, hand shower and shower head.

*Akosi\* Wellness*

**Design+** shower faucet

**Design+ products are manufactured  
by the highest standard and with  
the best materials.**

[www.akosi-wellness.nl](http://www.akosi-wellness.nl)

Email: [info@akosi-wellness.nl](mailto:info@akosi-wellness.nl)