

FREE STANDING BATHTUB FAUCET

GENERAL INSTALLATION INSTRUCTIONS MANUAL

Akosi 

(EXPOSED AND CONCEALED SERIES)

■ Thank you very much for your purchasing our products.

■ Pls read the manual carefully and install it correctly in order to understand the installation methods of our products, Please keep this manual properly so that you can refer to it in case of problems happening in the future.

Concealed box installation instructions

Adjust the height of the blank floor according to the lowest concealed box depth 70–100MM.

Draw lines and drill the holes, put the concealed box vertically.

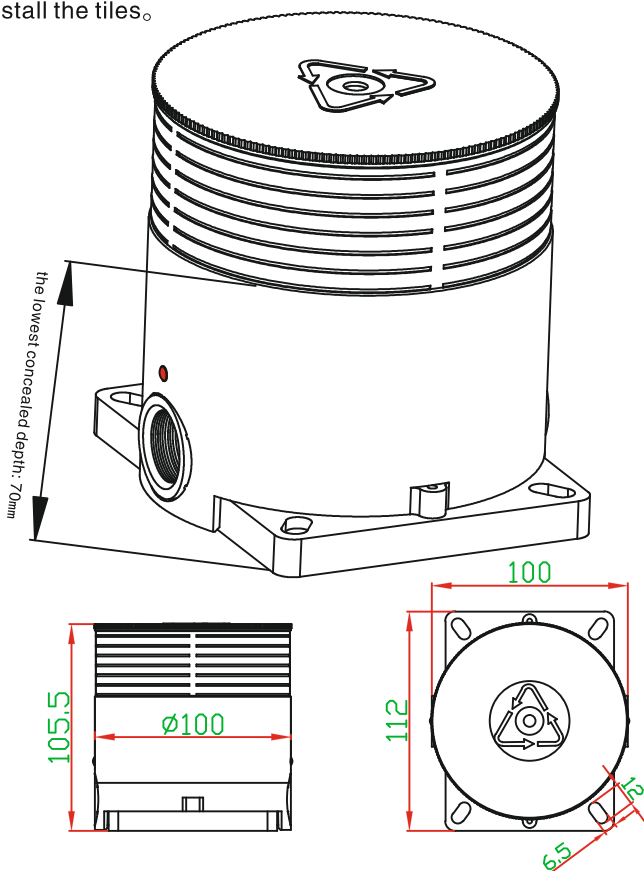
Fix it by expansion screws.

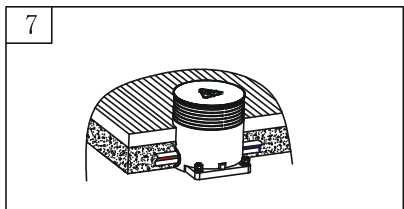
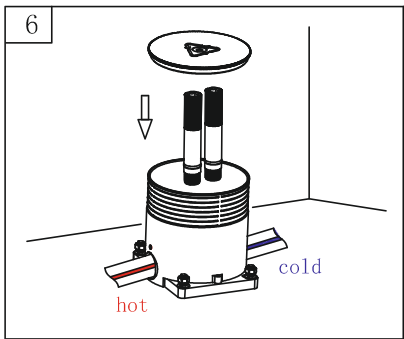
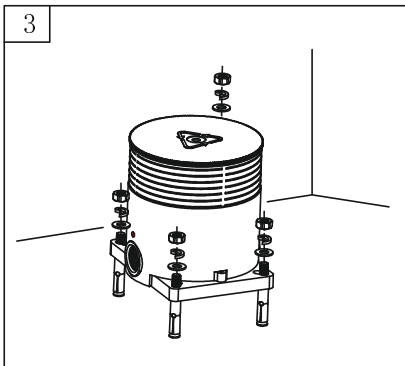
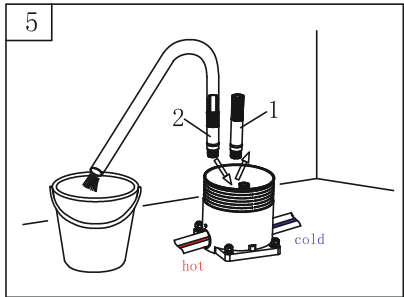
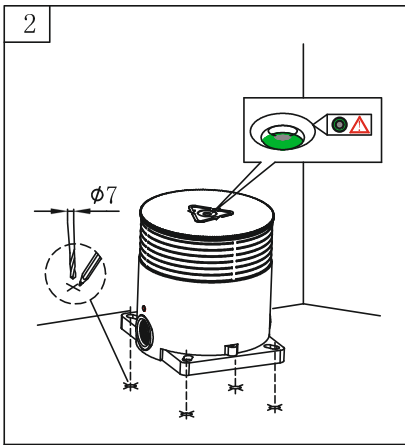
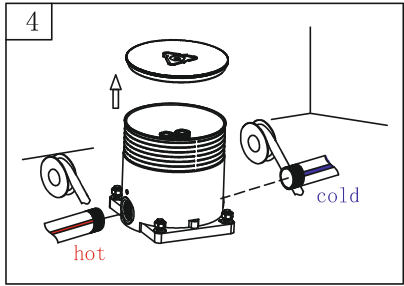
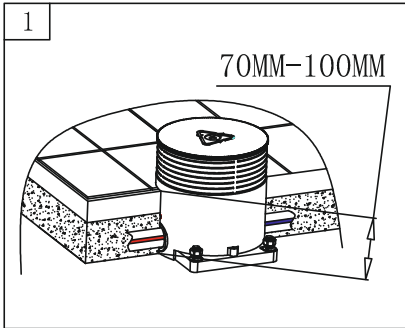
Connect the cold and hot water inlets, Open the cover of the concealed box; Confirm the leakage or not.

Open the plug firstly, Then put the drain water connector into the proper position to let the mud and sands out.

Put back the plugs properly and close the concealed box cover.

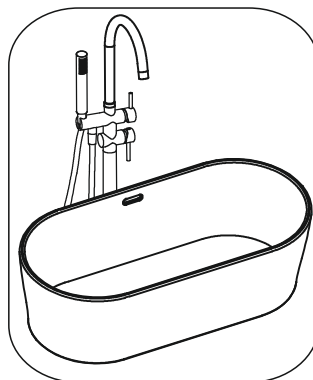
Install the tiles.





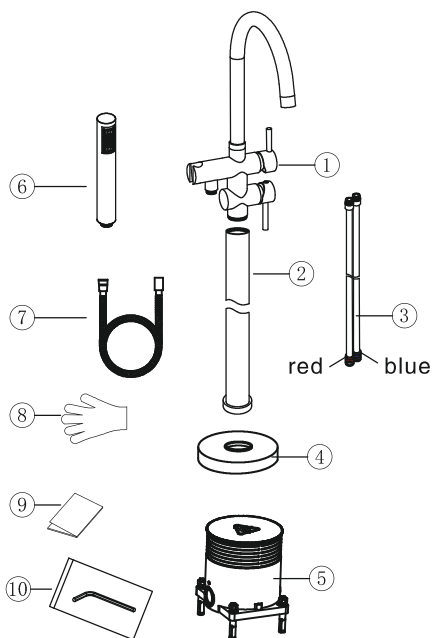
Free Standing Bathtub Faucet

Pls check the parts carefully according to the standard parts list after you picking out the products. Pls contact with the local distributor if any missing parts.



see the drawings as below:

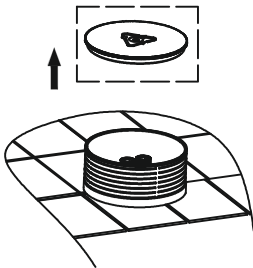
No.	Description	Quantity
1	body assembly	1
2	straight tube	1
3	inlet pipe	2
4	escutcheon	1
5	concealed box	1
6	hand shower	1
7	shower hose	1
8	gloves	1
9	instructions	1
10	accessory bag	1



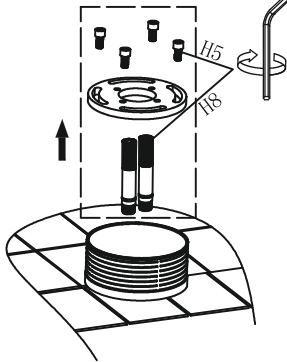
In order to guarantee the water flowing smoothly, pls clean out the mud and sands in the pipe before connecting the inlet pipes.

The height of your bathtub should match with the dimension of our free standing faucet.

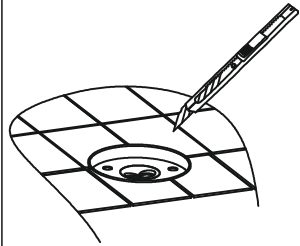
Open the concealed box cover.



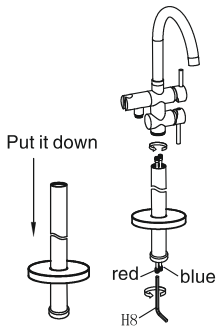
Remove the plate and plug by hexagon screw.



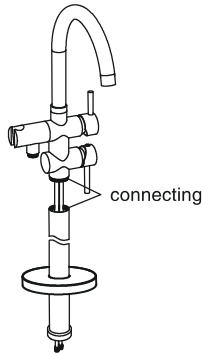
Cutting the concealed box along the tiles surface by knife.



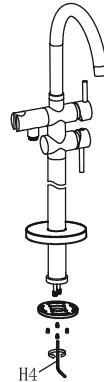
Install the escutcheon from the top of the tube. Connect the inlet pipes to the body by hexagon screw. pay attention to the relative marking.



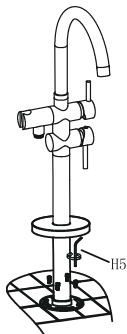
Connect the straight tube to the body.



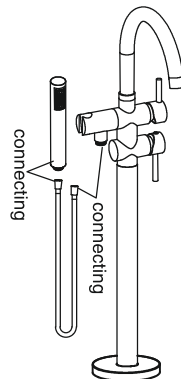
Connect the plate to the tube through the screws by hexagon screw.



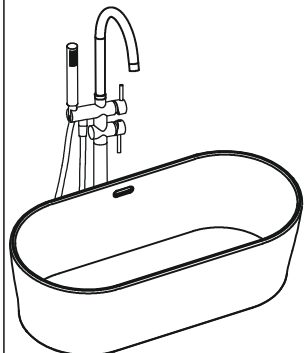
Put the inlet pipes into the relative holes of the concealed box. Adjust the position of the spout and bath. Connect the plate into the concealed box through the plate screws.



Install the hand shower and shower hose.

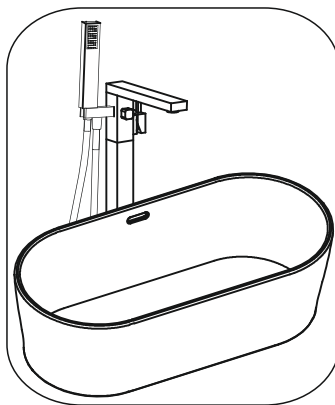


Total assembly picture.



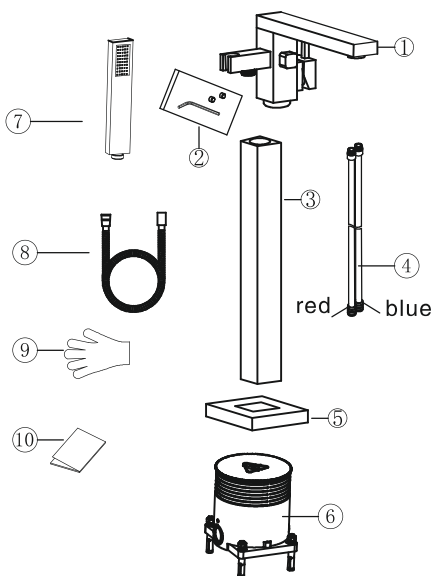
Free Standing Bathtub Faucet

Pls check the parts carefully according to the standard parts list after you picking out the products. Pls contact with the local distributor if any missing parts.



see the drawings as below:

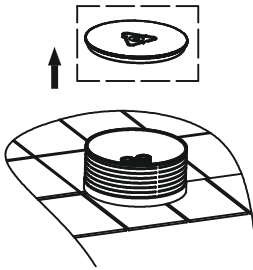
No.	Description	Quantity
1	body assembly	1
2	accessory bag	1
3	straight tube	1
4	inlet pipe	2
5	escutcheon	1
6	concealed box	1
7	hand shower	1
8	shower hose	1
9	gloves	1
10	instructions	1



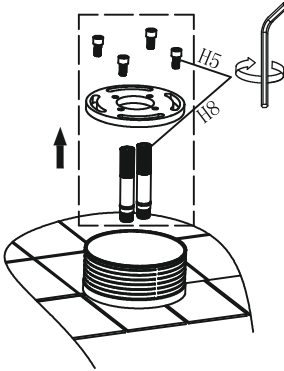
In order to guarantee the water flowing smoothly, pls clean out the mud and sands in the pipe before connecting the inlet pipes.

The height of your bathtub should match with the dimension of our free standing faucet.

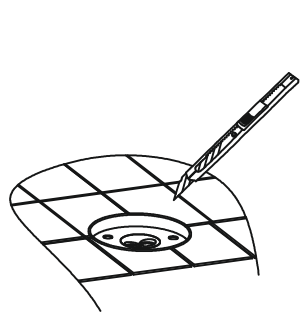
Open the concealed box cover.



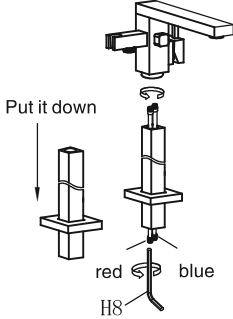
Remove the plate and plug by hexagon screw.



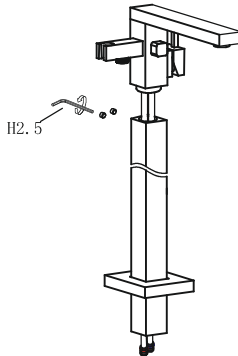
Cutting the concealed box along the tiles surface by knife.



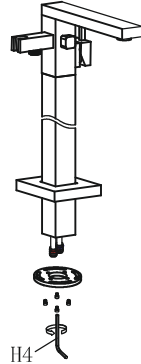
Install the escutcheon from the top of the tube. Connect the inlet pipes to the body by hexagon screw. pay attention to the relative marking.



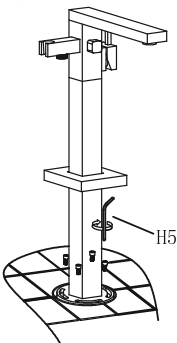
Connect the straight tube to the body.



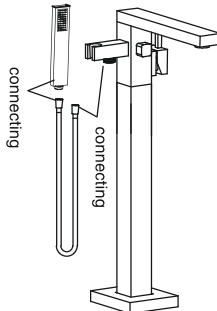
Connect the plate to the tube through the screws by hexagon screw.



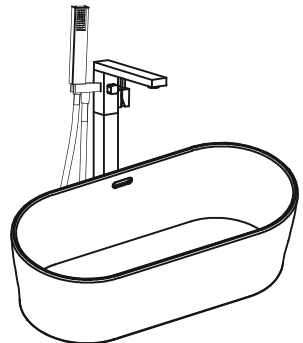
Put the inlet pipes into the relative holes of the concealed box. Adjust the position of the spout and bath. Connect the plate into the concealed box through the plate screws.



Install the hand shower and shower hose.

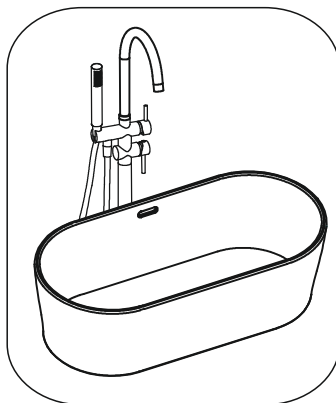


Total assembly picture.



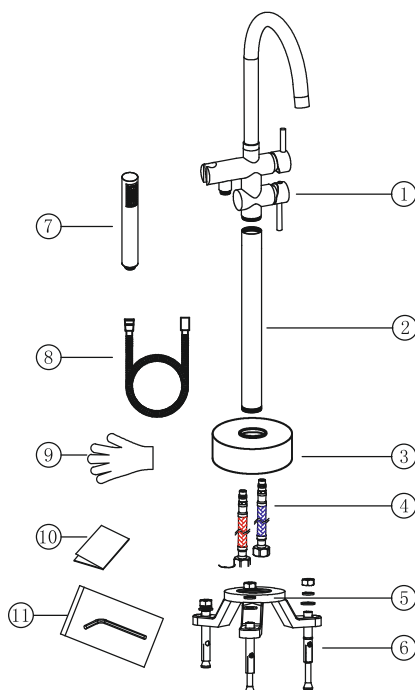
Free Standing Bathtub Faucet

Pls check the parts carefully according to the standard parts list after you picking out the products. Pls contact with the local distributor if any missing parts.



see the drawings as below:

No.	Description	Quantity
1	body assembly	1
2	straight tube	1
3	escutcheon	1
4	inlet flexible hose	2
5	triple fixing part	1
6	expansion screw	3
7	hand shower	1
8	shower hose	1
9	gloves	1
10	instructions	1
11	accessory bag	1

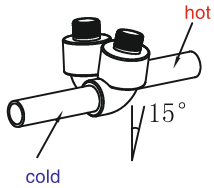


In order to guarantee the water flowing smoothly, pls clean out the mud and sands in the pipe before connecting the inlet pipes.

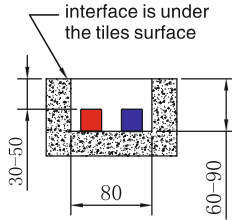
The height of your bathtub should match with the dimension of our free standing faucet.

2 interfaces slope to 15 degree towards to different directions and close each other so as to connect the flexible hoses.

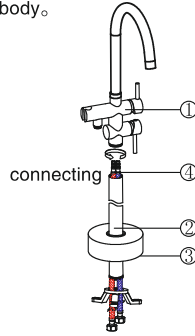
interface dimension:G1/2



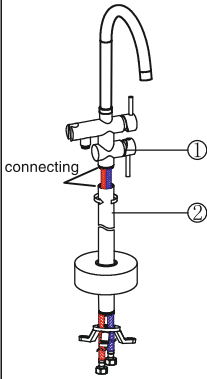
Install the inlet flexible hoses according to the following drawing.



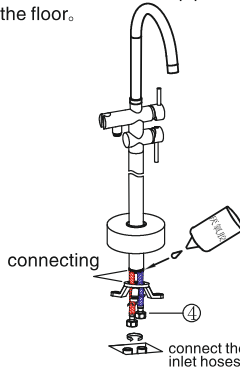
Firstly,connect the straight tube,escutcheon and triple fixing part into the flexible hose, Then, connect the flexible hose to the body.



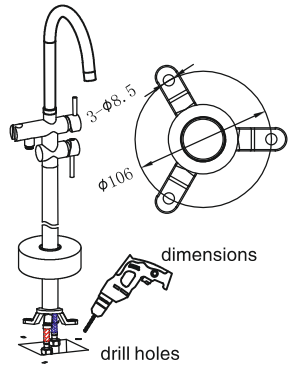
Connect the straight tube to the body.



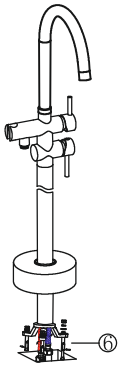
connect the triple fixing part and the straight tube by anaerobic adhesive. The triple part should keep away from the cold and hot pipes under the floor.



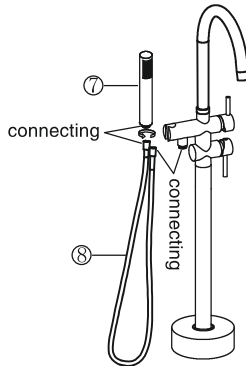
draw lines and drill the holes, fixing the triple part to the floor.



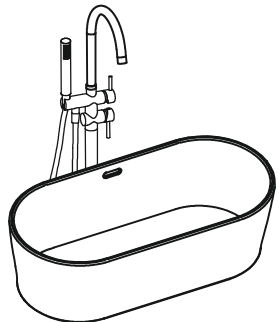
Install the faucet body by expansion screw.



Install the hand shower and shower hose.

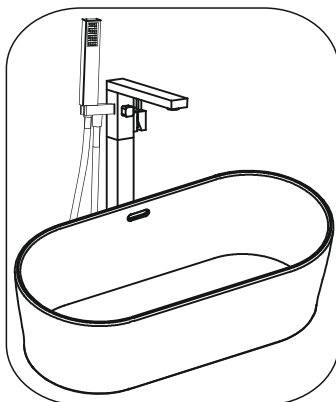


Total assembly picture.



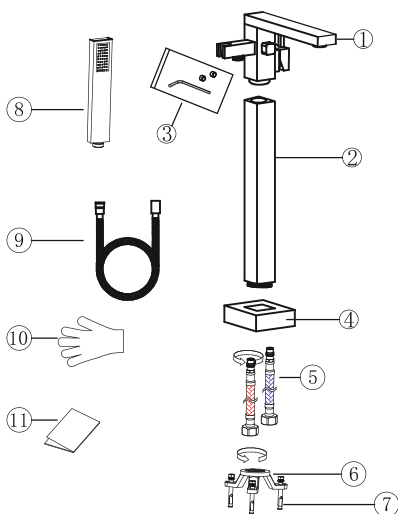
Free Standing Bathtub Faucet

Pls check the parts carefully according to the standard parts list after you picking out the products. Pls contact with the local distributor if any missing parts.



see the drawings as below:

No.	Description	Quantity
1	body assembly	1
2	straight tube	1
3	accessory bag	1
4	escutcheon	1
5	inlet flexible hose	2
6	triple fixing part	1
7	expansion screw	3
8	hand shower	1
9	shower hose	1
10	gloves	1
11	instructions	1

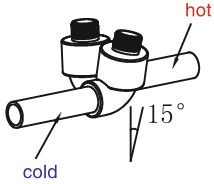


In order to guarantee the water flowing smoothly, pls clean out the mud and sands in the pipe before connecting the inlet pipes.

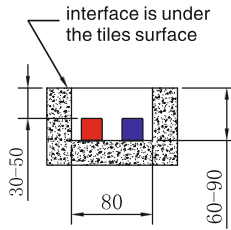
The height of your bathtub should match with the dimension of our free standing faucet.

2 interfaces slope to 15 degree towards to different directions and close each other so as to connect the flexible hoses.

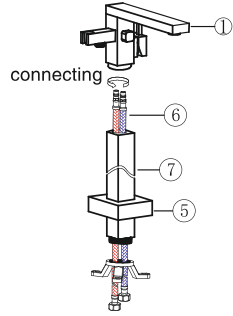
interface dimension:G1/2



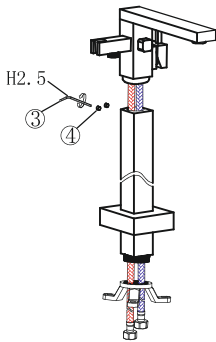
Install the inlet flexible hoses according to the following drawing.



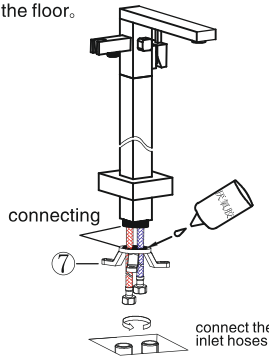
Firstly,connect the straight tube,escutcheon and triple fixing part into the flexible hose. Then, connect the flexible hose to the body.



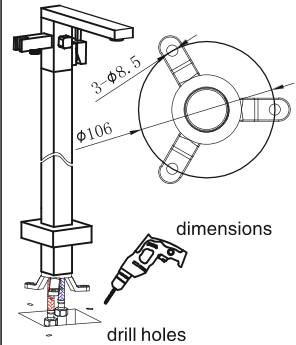
Twisting the allen screw by hexagon, Connect the straight tube to the body.



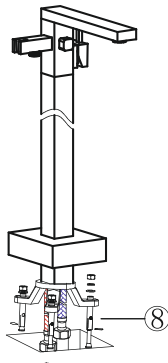
connect the triple fixing part and the straight tube by anaerobic adhesive. The triple part should keep away from the cold and hot pipes under the floor.



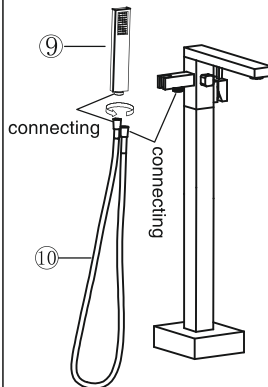
draw lines and drill the holes, fixing the triple part to the floor.



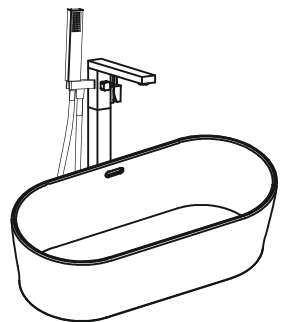
Install the faucet body by expansion screw.



Install the hand shower and shower hose.

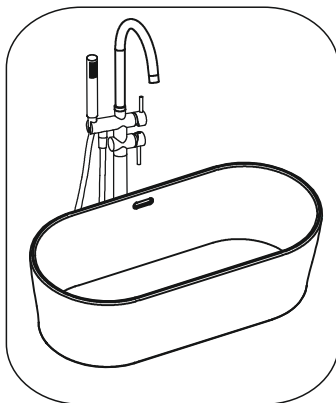


Total assembly picture.



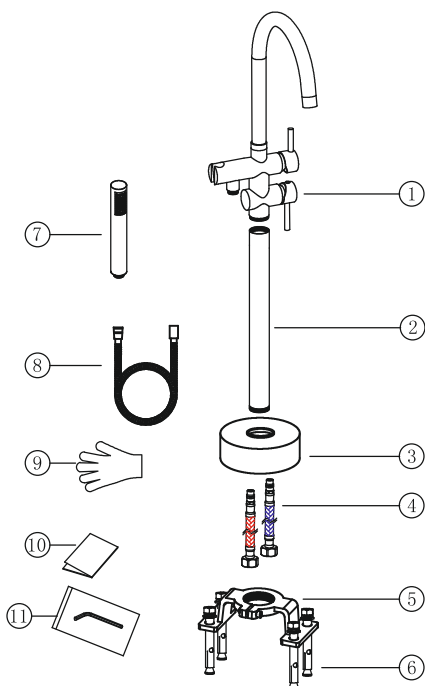
Free Standing Bathtub Faucet

Pls check the parts carefully according to the standard parts list after you picking out the products. Pls contact with the local distributor if any missing parts.



see the drawings as below:

No.	Description	Quantity
1	body assembly	1
2	straight tube	1
3	escutcheon	1
4	inlet flexible hose	2
5	double fixing part	1
6	expansion screw	4
7	hand shower	1
8	shower hose	1
9	gloves	1
10	instructions	1
11	accessory bag	1

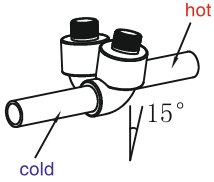


In order to guarantee the water flowing smoothly, pls clean out the mud and sands in the pipe before connecting the inlet pipes.

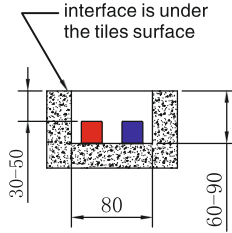
The height of your bathtub should match with the dimension of our free standing faucet.

2 interfaces slope to 15 degree towards to different directions and close each other so as to connect the flexible hoses.

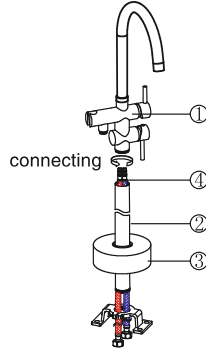
Interface dimension: G1/2



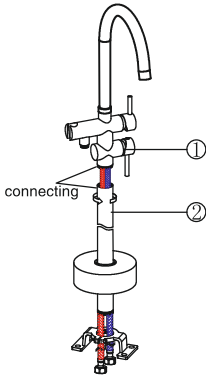
Install the inlet flexible hoses according to the following drawing.



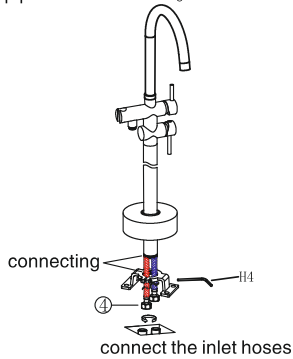
Firstly, connect the straight tube, escutcheon and double fixing part into the flexible hose. Then, connect the flexible hose to the body.



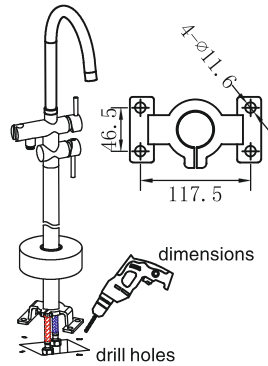
Connect the straight tube to the body.



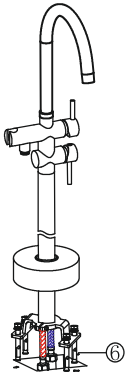
connect the double fixing part and the straight tube by anaerobic adhesive. The double part should keep away from the cold and hot pipes under the floor.



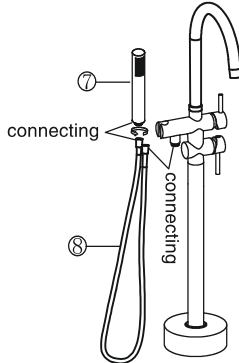
draw lines and drill the holes, fixing the double part to the floor.



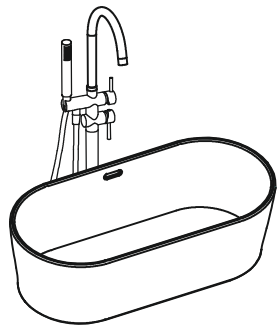
Install the faucet body by expansion screw.



Install the hand shower and shower hose.

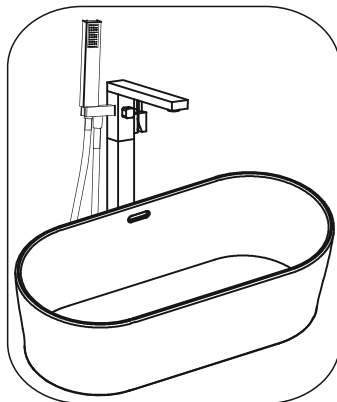


Total assembly picture.



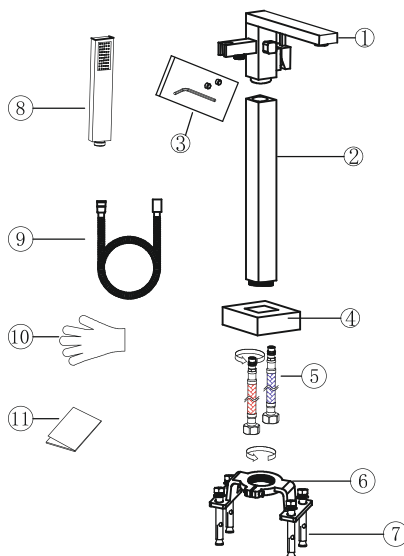
Free Standing Bathtub Faucet

Pls check the parts carefully according to the standard parts list after you picking out the products. Pls contact with the local distributor if any missing parts.



see the drawings as below:

No.	Description	Quantity
1	body assembly	1
2	straight tube	1
3	accessory bag	1
4	escutcheon	1
5	inlet flexible hose	2
6	double fixing part	1
7	expansion screw	4
8	hand shower	1
9	shower hose	1
10	gloves	1
11	instructions	1

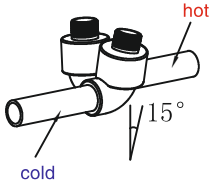


In order to guarantee the water flowing smoothly, pls clean out the mud and sands in the pipe before connecting the inlet pipes.

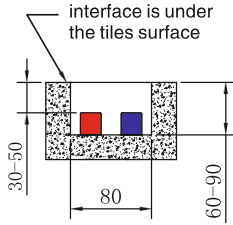
The height of your bathtub should match with the dimension of our free standing faucet.

2 interfaces slope to 15 degree towards to different directions and close each other so as to connect the flexible hoses.

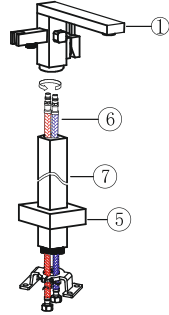
interface dimension:G1/2



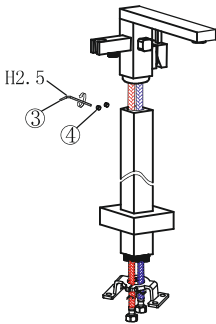
Install the inlet flexible hoses according to the following drawing.



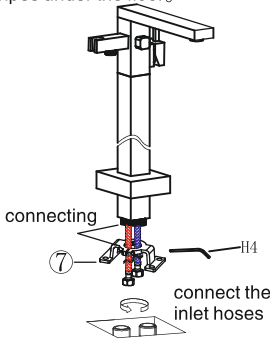
Firstly, connect the straight tube, escutcheon and double fixing part into the flexible hose. Then, connect the flexible hose to the body.



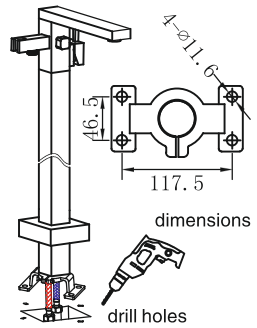
Twisting the allen screw by hexagon, Connect the straight tube to the body.



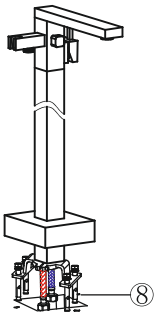
connect the double fixing part and the straight tube by anaerobic adhesive, The double part should keep away from the cold and hot pipes under the floor.



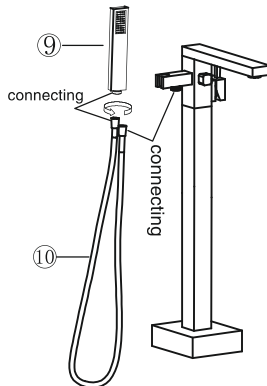
draw lines and drill the holes, fixing the double part to the floor.



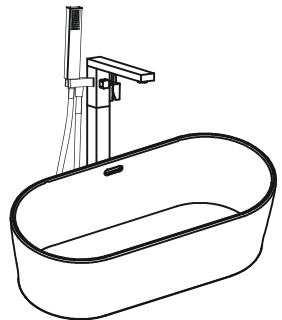
Install the faucet body by expansion screw.



Install the hand shower and shower hose.



Total assembly picture.



FREE STANDING BATHTUB FAUCET

■ This manual has been carefully checked to make sure it is accurate, If there is any error caused by printing mistakes or omissions, our company will not be responsible.

■ Pls subject to the real product when purchasing, And the sketch shall be the image schematic diagram for reference only, The company reserves the final interpretation right for the relevant contents of this manual.

■ Our company is constantly striving to improve the performance of our products, We will update our product 's technology and design without notice.
