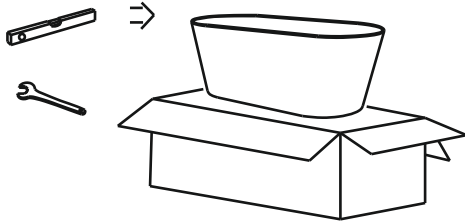
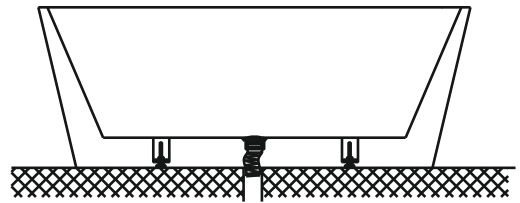


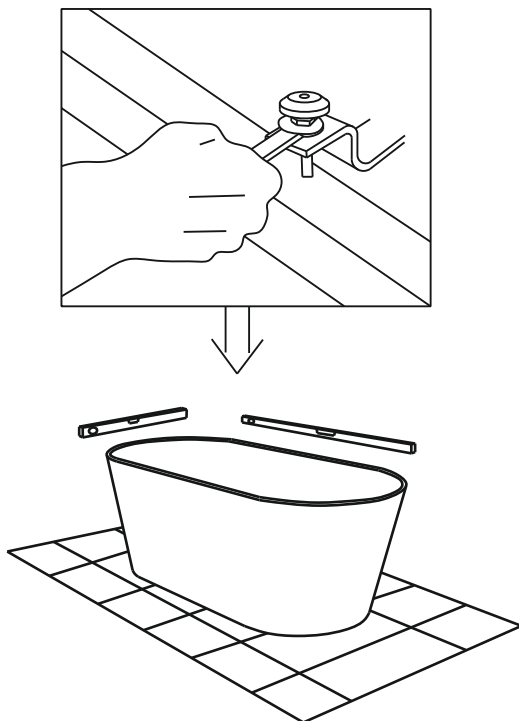
1. Prepare the bathtub installation tools, unpack the bathtub and put it on the installation position.



3. Connect the drain pipe.



2. Adjust the foot screws so the bathtub stands on the foot screws and level the bathtub for the water to drain accordingly.



4. Fill the bathtub with water and test the drainage for leakage.

