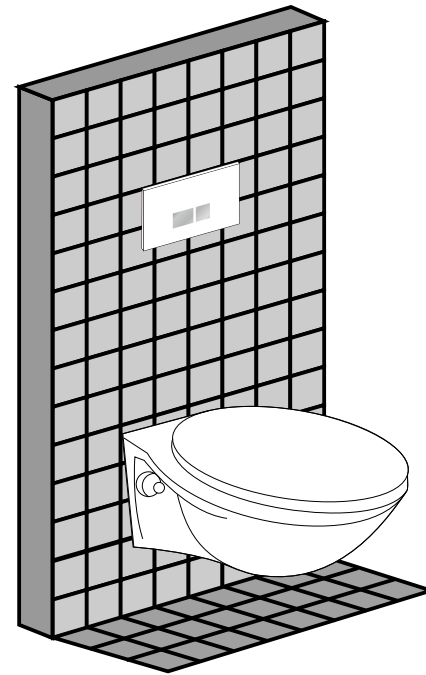
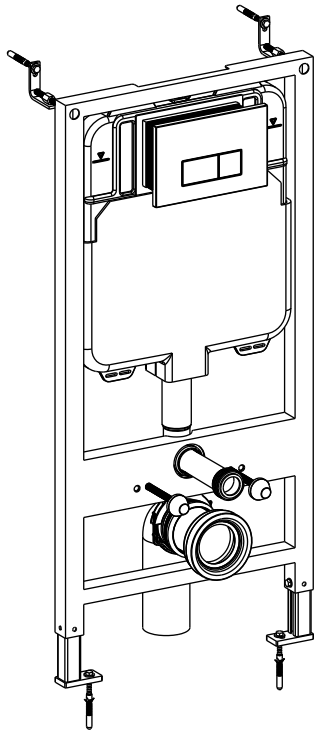
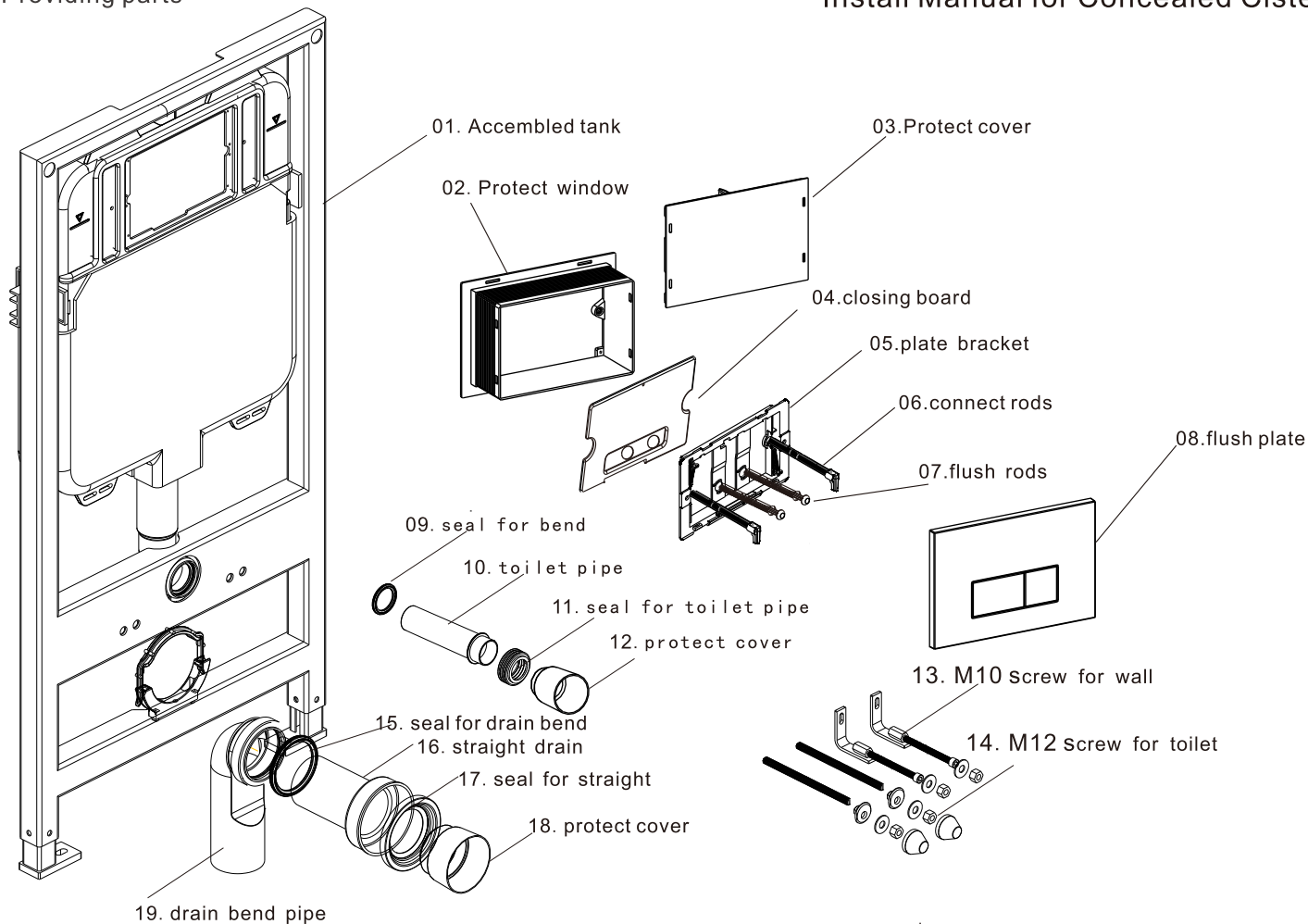


# Install Manual For Concealed cistern



## Providing parts

## Install Manual for Concealed Cistern

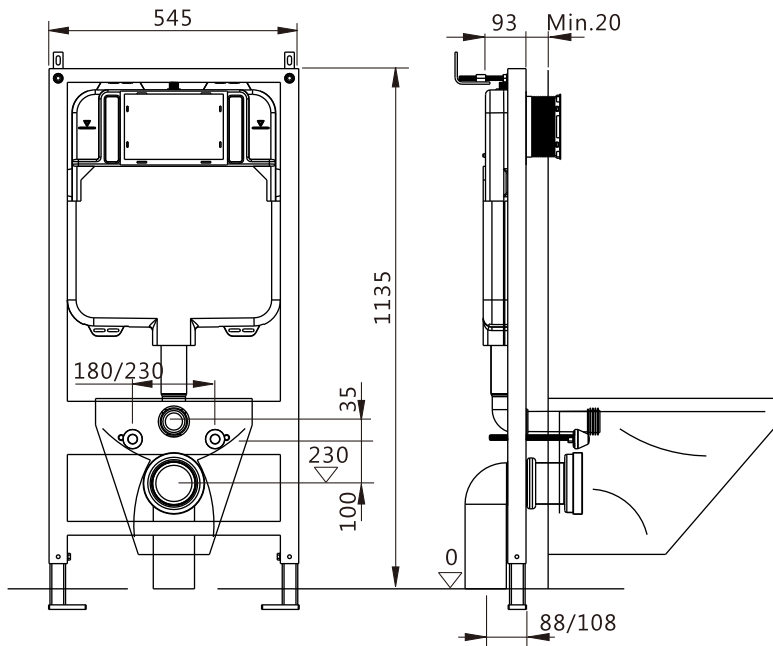


mark:

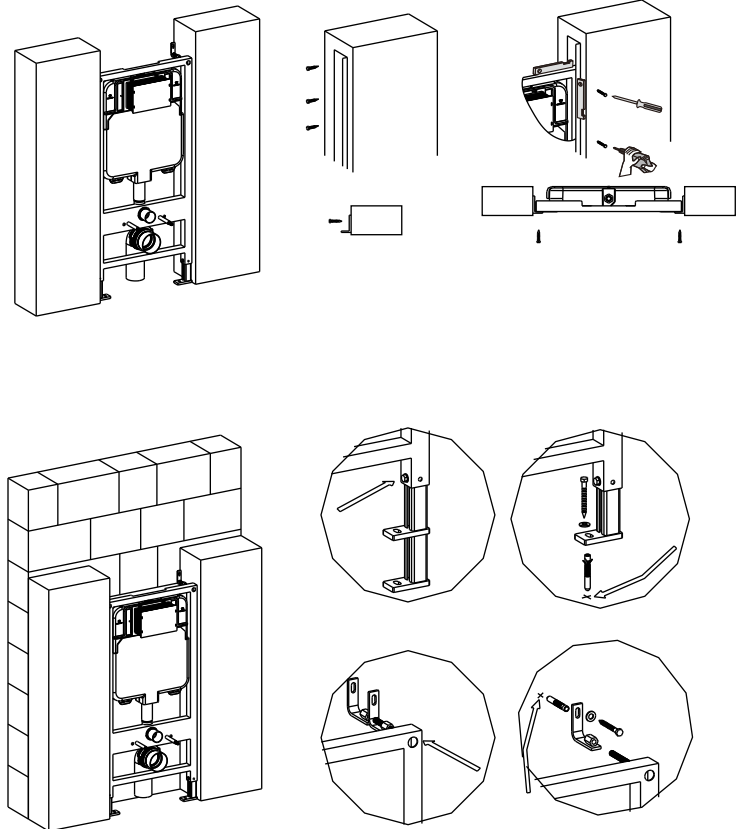
1. Please check full accessories as listed
2. Please install all parts as necessary
3. Cistern is 100% tested, please do not remove unless professional.

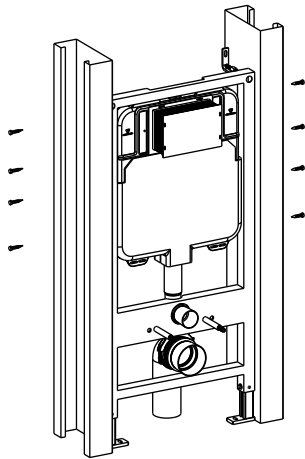
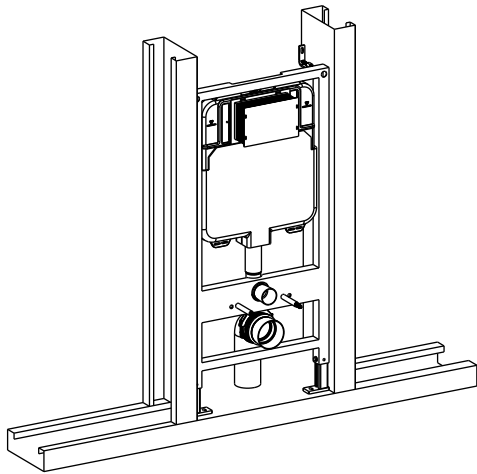
## 1. Technical Drawing:

(pls refer to the size of the actual cistern itself)

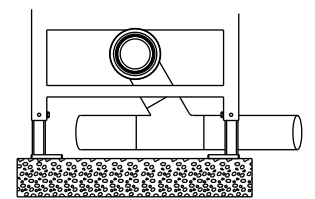
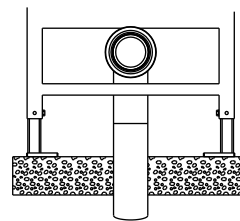
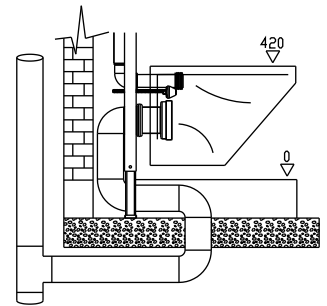
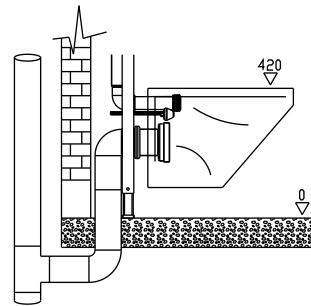
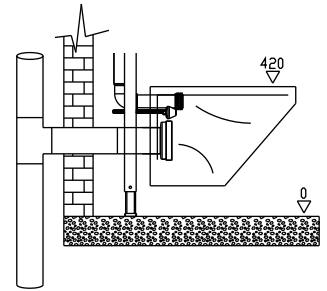
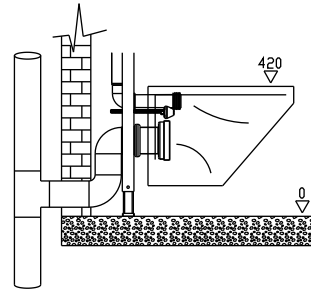


## 2. Ways of Installing

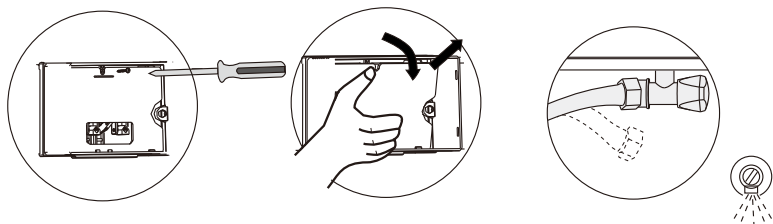
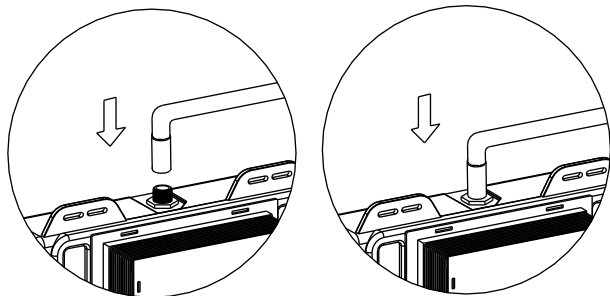




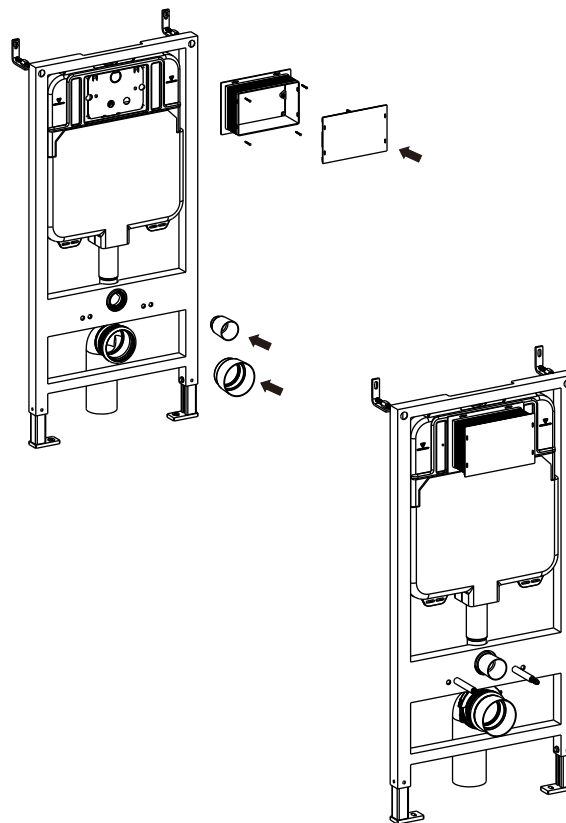
### 3. Installing flush pipe



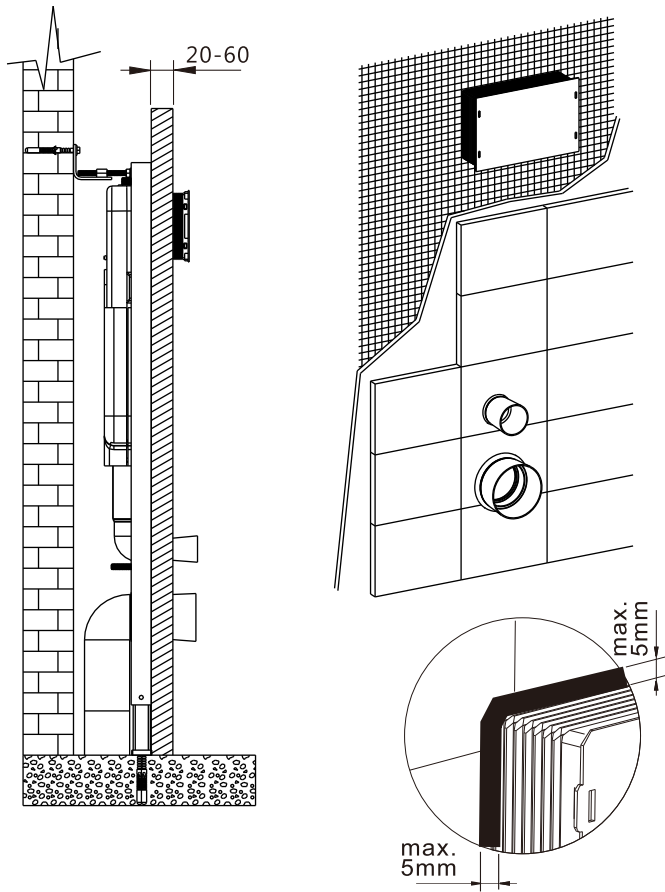
#### 4. Installing fill water pipe



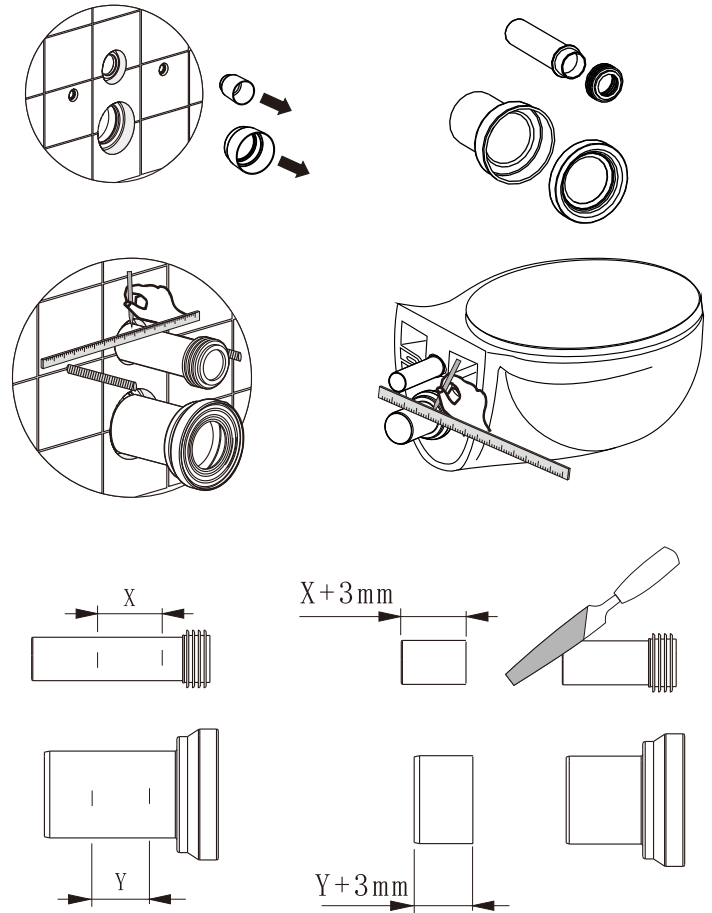
#### 5. Preparation before building wall



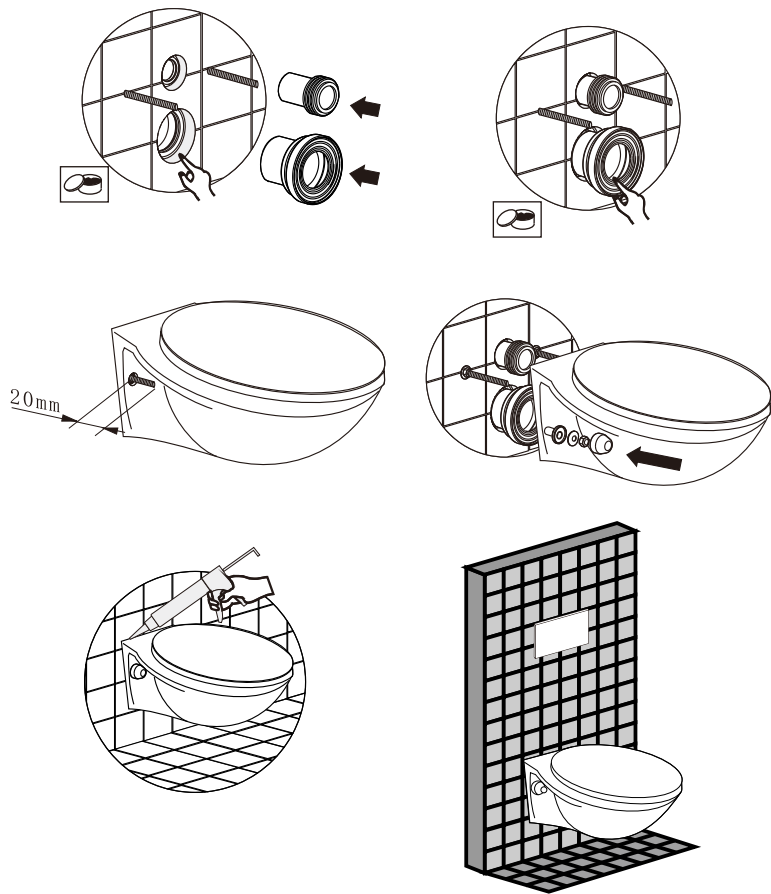
## 6. Building the wall



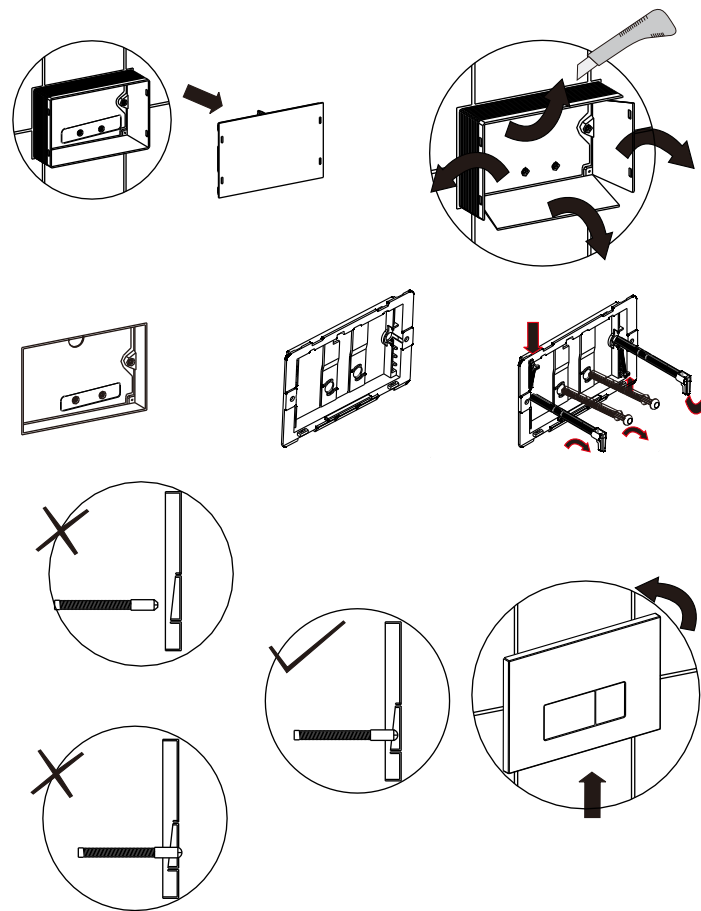
## 7. Adjusting straight pipe



## 8. Installing toilet

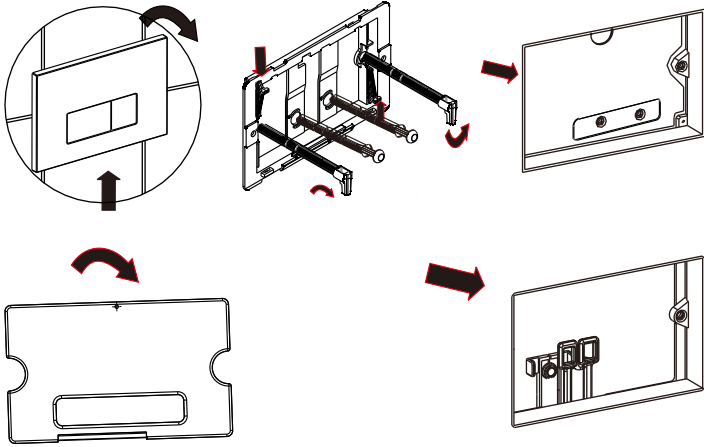


## 9. Installing cistern panel

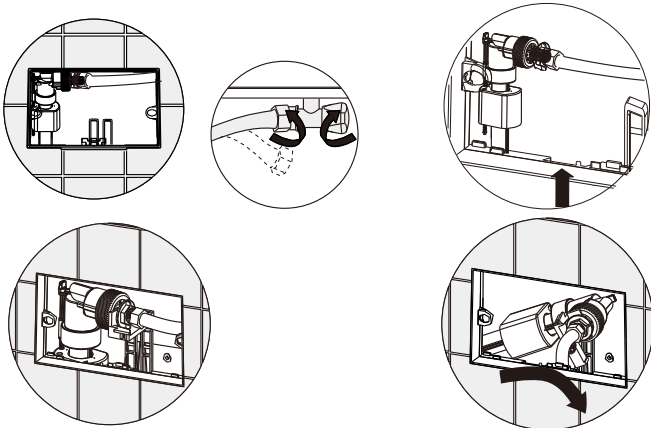


# Maintenance Manual of Concealed Cistern

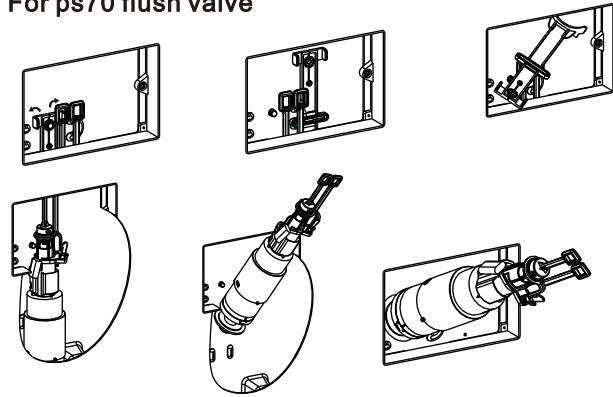
## 1. Open cistern panel system



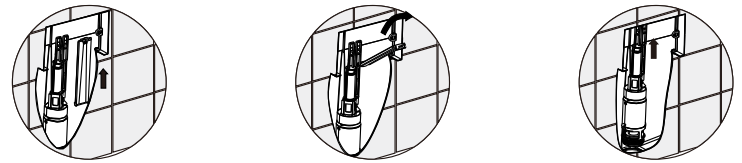
## 2. Replace fill valve



## 3. Replace flush valve For ps70 flush valve



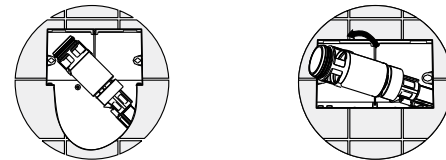
## For ps10 flush valve



Pull the flush valve with left hand lightly, and with the right hand catch the flush frame top and pull it out of the knot.

Move the flush frame to the right and take it out by tilting it.

Pull the flush valve upwards lightly.



Turn the flush valve till the bottom comes upward.

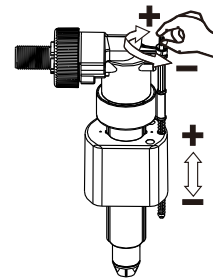
Take out the flush valve by tilting it.



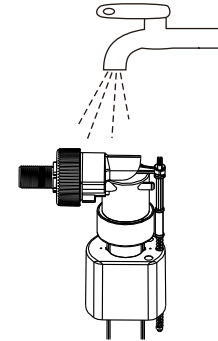
## 1. Maintenance of fill valve

### Malfunctions and solutions for fill valve

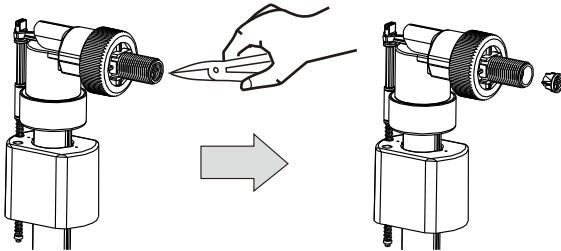
Malfunction	Solution
1. The water level is too high or too low	Adjust water level
2. Cannot stop water	Wash sealed rubber and mandril
3. Water fills slowly	Wash filter; Increase water stress
4. Others questions	Please consult a technician



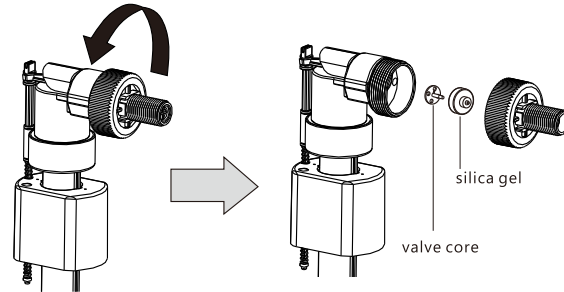
1. Turn the knob, adjust water level height.



2. Wash the dirt .



3. Take off the filter tip and clean.

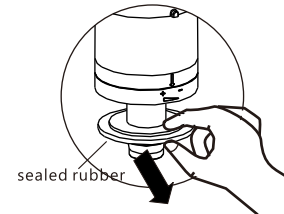
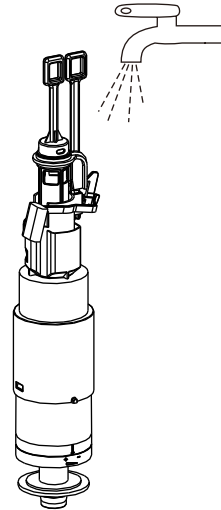
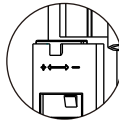
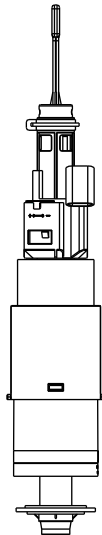
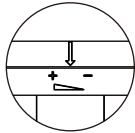
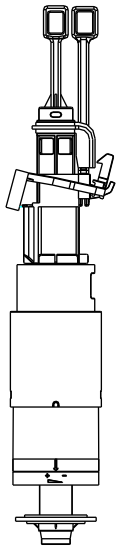


4. Wring the screws widdershins and clean or place the valve core and the silica gel of fill valve.

## 2. Maintenance of flush valve

### Malfunctions and solutions for flush valve

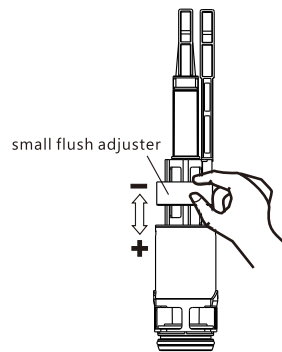
Malfunction	Reason	Solution
1. Cannot flush water	The flush pole distortion or break	Replace the flush pole
	The working water level too low	Adjust the working water level
	The sealed rubber cannot seal water	Replace the sealed rubber
2. Leakage	The movement of flush valve is blocked	Wash the dirt off the flush valve



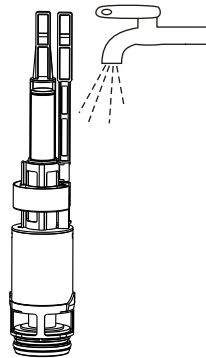
## 2. Maintenance of flush valve

### Malfunctions and solutions for flush valve

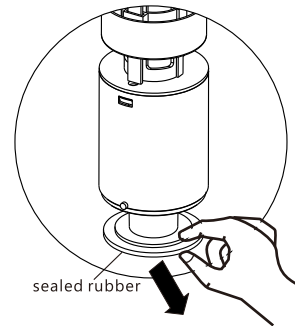
Malfunction	Reason	Solution
1. Cannot flush water	The flush pole distortion or break	Replace the flush pole
	The working water level too low	Adjust the working water level
2. Leakage	The sealed rubber cannot seal water	Replace the sealed rubber
	The movement of flush valve is blocked	Wash the dirt off the flush valve



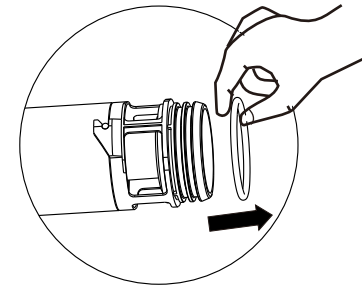
1. Adjust the small flush water volume by adjust the small flush adjuster.



2. Wash the dirt off the flush valve by flowing and clean water.



3. Take out of the silica gel of flush valve. Clean or replace it.



4. Take out of the sealed rubber of flush valve. Clean or replace it.

Attention: The process of installation is opposite to the process of teardown. Please install the valve carefully according to original shape after cleaning or replacing it.

Instate of Improving  
Insearch of Excellence