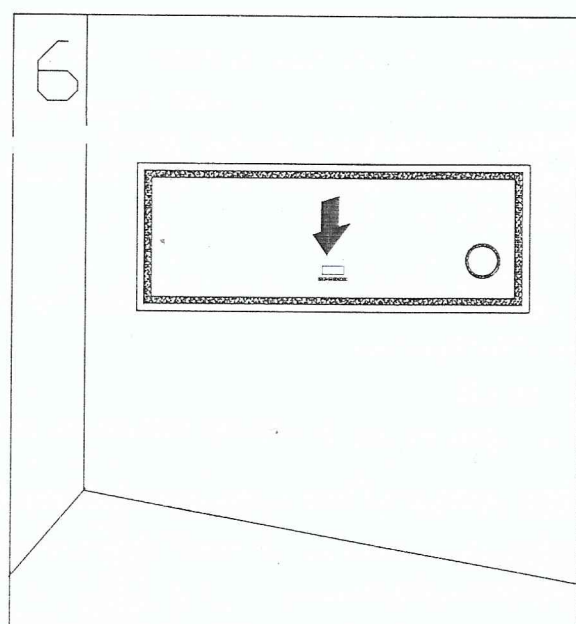
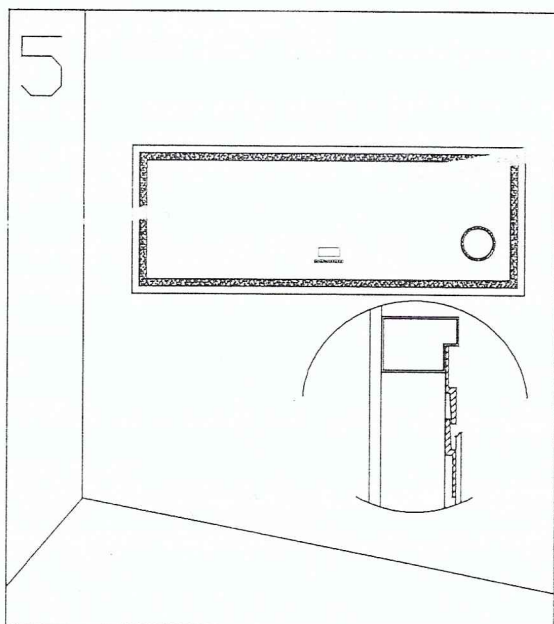
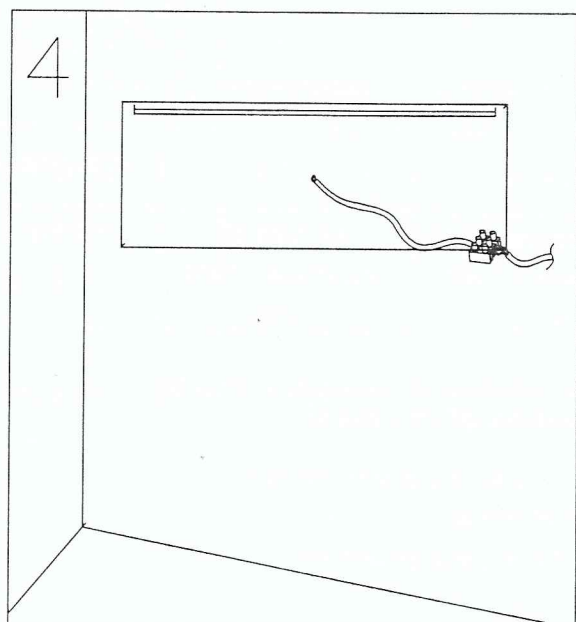
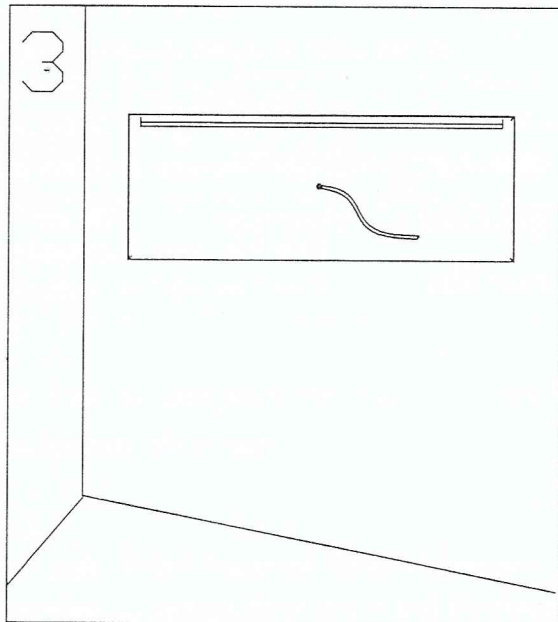
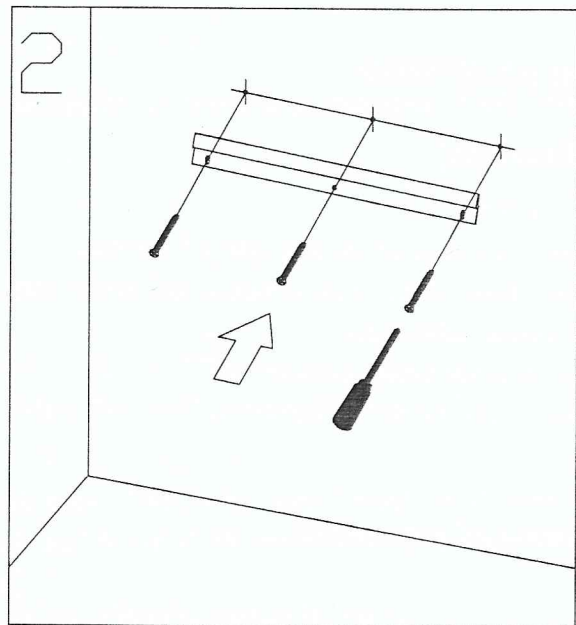
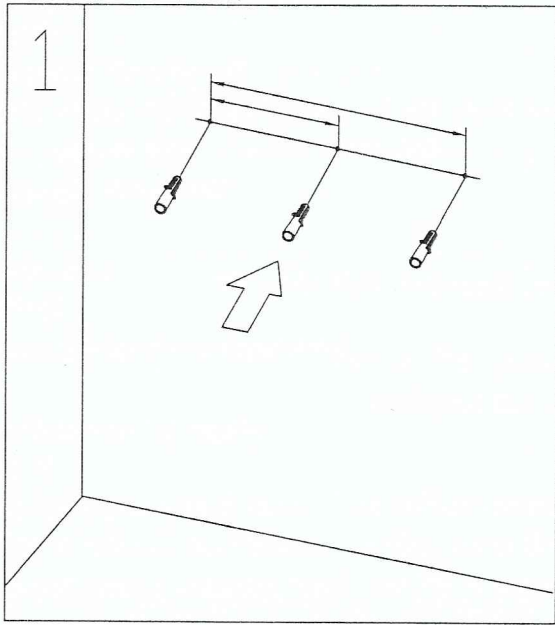


The Instruction of LED Mirror



Instructions for Bluetooth + Six-way Touch Button Controller

[Model] HX-BT6020

[Specifications]

Input: DC12V

Output: Two ways of DC12V and 4A current

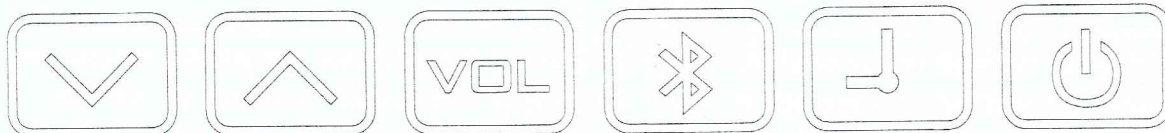
Display: Time, date, week, temperature, music play state, Bluetooth, light state, etc.

Time format: 24H /12H

Range of temperature: Celsius: -20°C to 100°C, Fahrenheit: -4°F to 199°F

Bluetooth: Bluetooth 4.2 Protocol, Bluetooth music and call functions

[Definition of key icons]



① DOWN	② UP	③ SET	④ MODE	⑤ CLOCK	⑥ POWER
Decrease of brightness /Last song	Increase of brightness / Next song	Setting	Bluetooth/ Time	Time/Play	On and off/Power

[Operation of the keys]

1. Under the power-off state,

⑥ POWER

Short press to turn on.

2. When clock is displayed:

① DOWN

Brightness of light band decreases. The minimum brightness is 10%. Long press to decrease the brightness of LED.

② UP

Brightness of light band increases. The maximum brightness is 100%. Long press to increase the brightness of LED.

③ SET

Long press: to enter the setup menu. For specific functions see the following "Item 8" for description of the functions.

④ MODE

Short press the key to enter/quit Bluetooth music play mode. (After the phone is connected with the

Bluetooth, the icon  on the screen will stop flickering. When the phone is playing music, short press ④ MODE to enter the Bluetooth music play mode with "bt" characters displayed on the screen, and then the smart mirror can play music).

⑤CLOCK

Short press : toggle between “time” and “year”.

Long press: to enter the time/date/year setup.

⑥POWER

Short press: Turn on/ off LED light.

Double click: Cycle switching of the three color temperature. Switching sequence: Cool white light— neutral light — warm white light.

Long press: Power off.

3. Clock setup

① DOWN

Time/date/year/down regulation

②UP

Time/date/year/up regulation

⑤CLOCK

Short press: to switch setup “hour-minute-month-day-year”. (When the “hour” is set, short press ⑤CLOCK to enter the “minute” setting. After the “minute” is set, short press ⑤CLOCK to enter the “month” setting until the “year” setting in sequence).

Long press: Finish the time/date/year setup, save and return the state of clock display.

4. When Bluetooth music is being played

① DOWN

Short press: to play last song


Long press: to decrease brightness of light band down to 10%

②UP

Short press: to play next song

Long press: to increase brightness of light band up to 100%.

③SET

Long press: volume setup, the icon  will be on, press ①DOWN to decrease the volume, press the ②UP to increase the volume.

⑤CLOCK

Short press: Play / Pause the Bluetooth music.

Long press: Disconnect the phone and Bluetooth.

5. In the state of Bluetooth call:

⑤CLOCK

Short press: Answer the phone when there is an incoming call. Hang up during a call.

Long press: Hang up when there is an incoming call. Switch between the phone and Bluetooth during a call.

6. In the state of volume setting:

① DOWN

Volume -

② UP

Volume +

7. Setup menu

After entering the setup menu, short press ⑤SET to switch between sub-menus. Long press ③SET to save and quit the setup menu.

- Sequence of setup menu:
1. Setup 12 H or 24 H.
 2. Setup of Celsius and Fahrenheit.
 3. Turn on/off the key tone.
 4. Display the software version.

Of which each setup option is operated as below:

1. 12H or 24H display setup. Short press ①DOWN and ②UP to select 12 H or 24 H for the time display format. The screen will display “-HOU” at the upper side while displaying “12H” and “24H” at the lower side. Short press ③SET to set the next item. Long press ③SET to directly save and quit the setting menu.

2. Celsius or Fahrenheit display setup. Short press ①DOWN and ②UP to select the Celsius degree or Fahrenheit degree for the temperature format. The screen will display “-tPU” at the upper side while displaying “°C” and “°F” at the lower side. Short press ③SET to set the next item. Long press and hold ③SET to directly save and quit the setting menu.

3. Turn on /off the key tone: Short press ①DOWN and ②UP to switch between “Turn on” or “Turn off” for the key tone. The screen will display “-ton” at the upper side while displaying “ON” or “OFF” at the lower side. Short press ③SET to set the next item. Long press ③SET to directly save and quit the setting menu.

4. Software version: The screen will display “-UEr” at the upper side while displaying “XXXX” of the version number at the lower side.